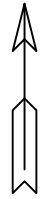
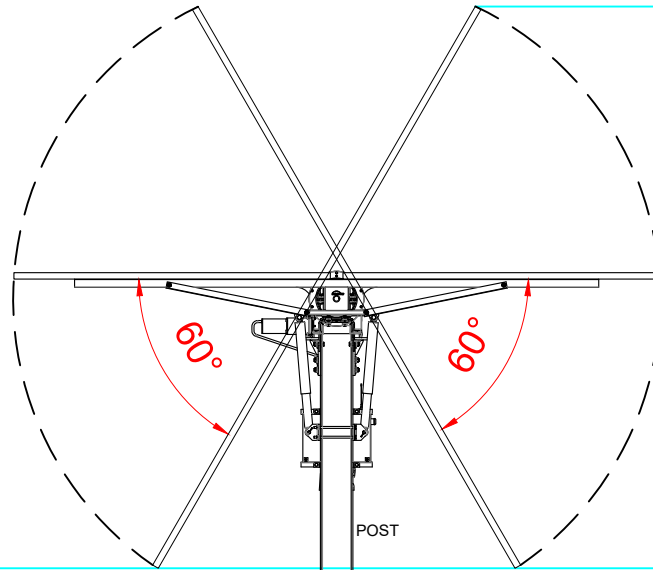


NORTH



2384



+3100

3100

+1000

1996

1000

Ground level

+0

1500

SECTION VIEW INDICATIVE

REV	MM	CT	First Issue	16.05.2022
Panel Elevations		GMSF_CS21GB001_02	Panel Elevations	
CanadianSolar MAKE THE DIFFERENCE		Gateway Moor Solar Farm United Kingdom	1:50 A4	
CANADIAN SOLAR CONSTRUCTION			PRELIMINARY	1/1